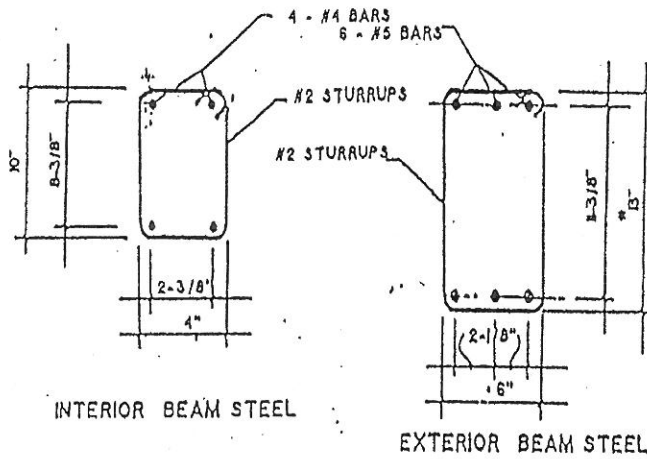
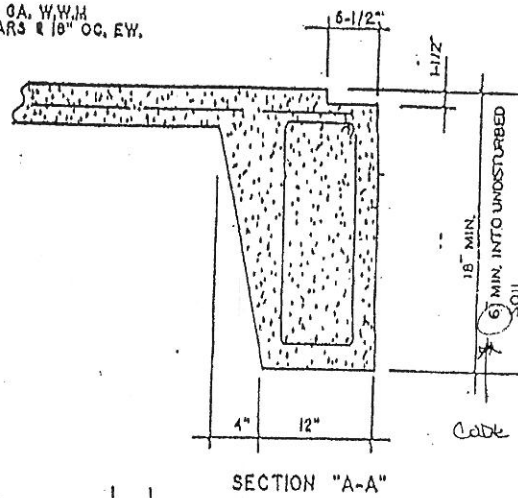
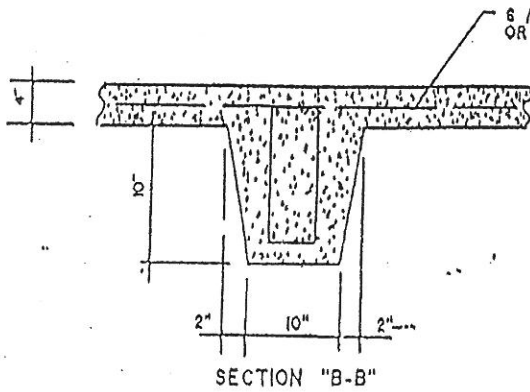
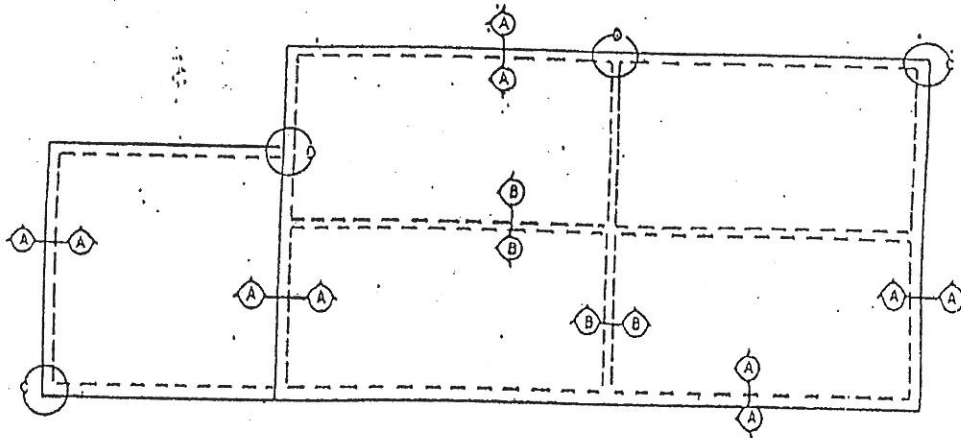


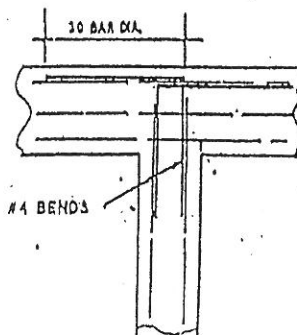
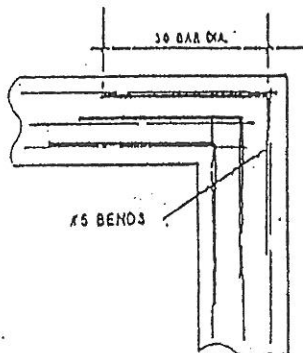
FOUNDATION REQUIREMENTS  
 FOR DWELLINGS WITH A MAXIMUM HEIGHT OF 12' FROM  
 FLOOR TO EAVE, AND A MAXIMUM HEIGHT OF 20' FROM  
 FLOOR TO GABLE.

ALL HEIGHTS IN EXCESS OF THE MAXIMUM SHALL BE  
 DESIGNED BY AN ENGINEER AND PROPERLY SIGNED.



\* 19" FOR BEAMS 24" DEEP

NOTE: BEAMS WITH DEPTHS GREATER  
 THAN 24" SHALL BE DESIGNED BY  
 AN ENGINEER & PROPERLY SIGNED



NOTE: ALL BAR LAPS SHALL  
 A MIN. OF 30 BAR DIA.

#3	=	11-1/4"
#4	=	15"
#5	=	18-3/4"
#6	=	22-1/2"